

EASYPELL

EFFICIENT AND RELIABLE HEATING



HEATING/
COOLING



DOMESTIC
HOT WATER



EQUIPMENT

PRODUCT BROCHURE
AIR-TO-WATER HEAT PUMP



THERMAL MANAGEMENT FOR THE ENTIRE HOUSE

WATER HEATING

From the bathroom to the kitchen - the heat pump provides the entire hot water preparation in the household. Combine the system with a hot water tank, as also a buffer with corrugated stainless-steel pipe or freshwater module.

SUITABLE FOR ALL HEAT EMISSION SYSTEMS

Regardless of whether it is a radiator, underfloor or wall heating - the heat pump harmonises with all systems up to 70 °C.

THERMAL MANAGEMENT

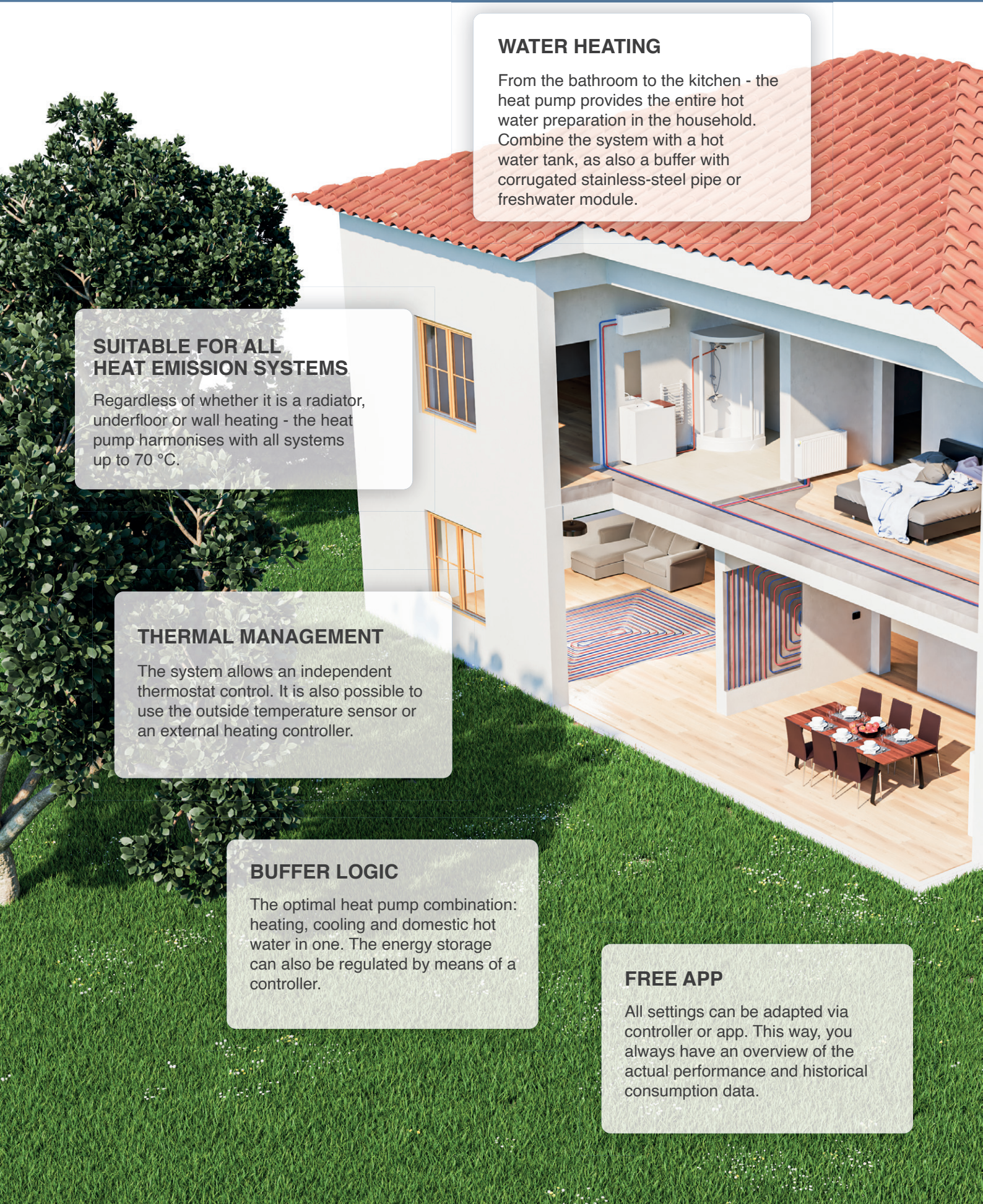
The system allows an independent thermostat control. It is also possible to use the outside temperature sensor or an external heating controller.

BUFFER LOGIC

The optimal heat pump combination: heating, cooling and domestic hot water in one. The energy storage can also be regulated by means of a controller.

FREE APP

All settings can be adapted via controller or app. This way, you always have an overview of the actual performance and historical consumption data.



OUTSIDE TEMPERATURE CONTROL

The weather control ensures that the heat pump regulates the heating temperature depending on the outside temperature. Thus, the perceived room temperature always remains constant.

SMART PV / GRID READY

Combine it with a PV system for utilizing and storing surplus energy through dynamic heating management. Integrated SMART GRID function enables cost-effective electricity access.

CASCADE AND HYBRID FUNCTION

At any time extendable with other devices or heating sources in one holistic system.

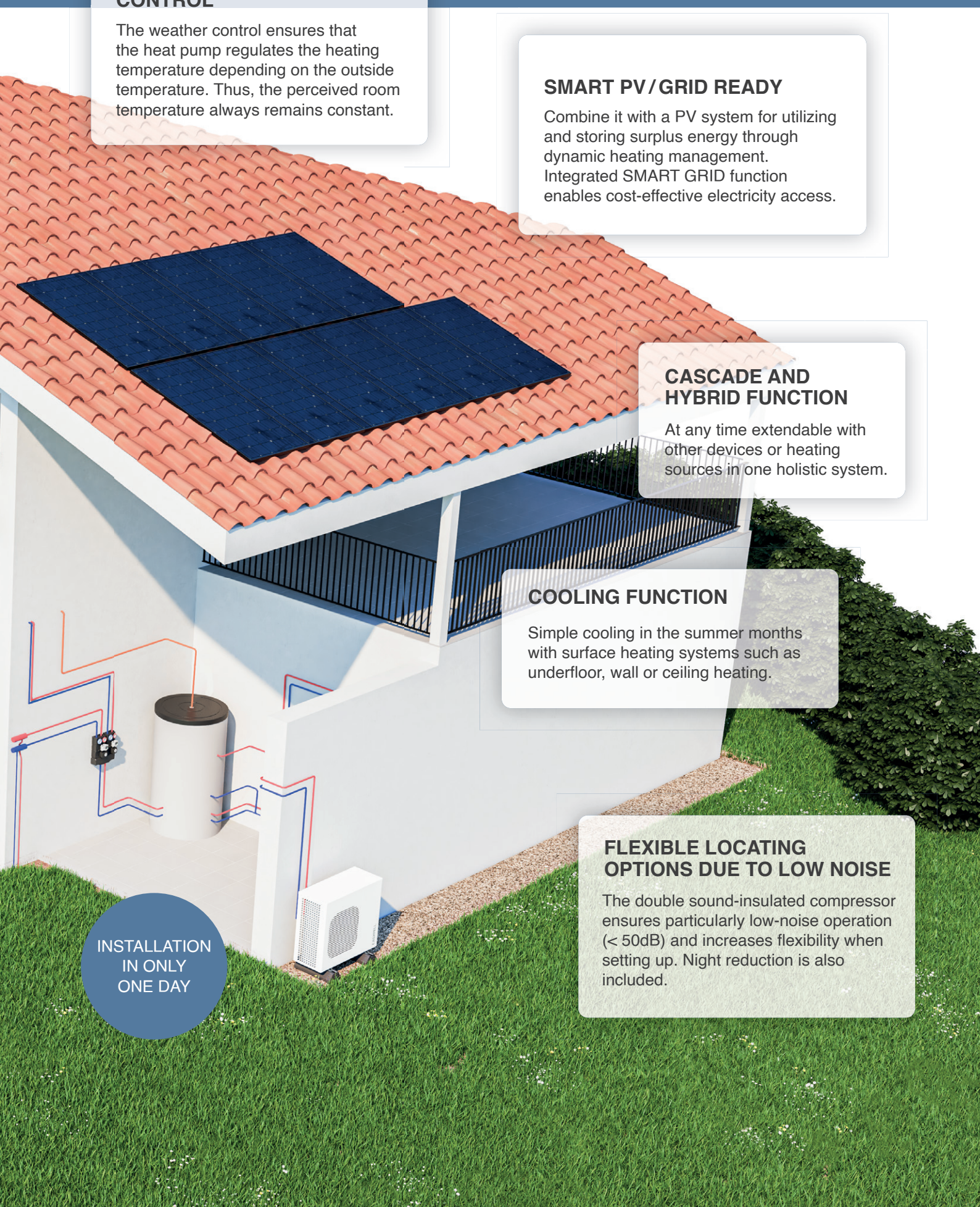
COOLING FUNCTION

Simple cooling in the summer months with surface heating systems such as underfloor, wall or ceiling heating.

FLEXIBLE LOCATING OPTIONS DUE TO LOW NOISE

The double sound-insulated compressor ensures particularly low-noise operation (< 50dB) and increases flexibility when setting up. Night reduction is also included.

INSTALLATION
IN ONLY
ONE DAY





TECHNOLOGY IN DETAIL

FULL DC INVERTER TECHNOLOGY
advanced modulation control
for electricity saving

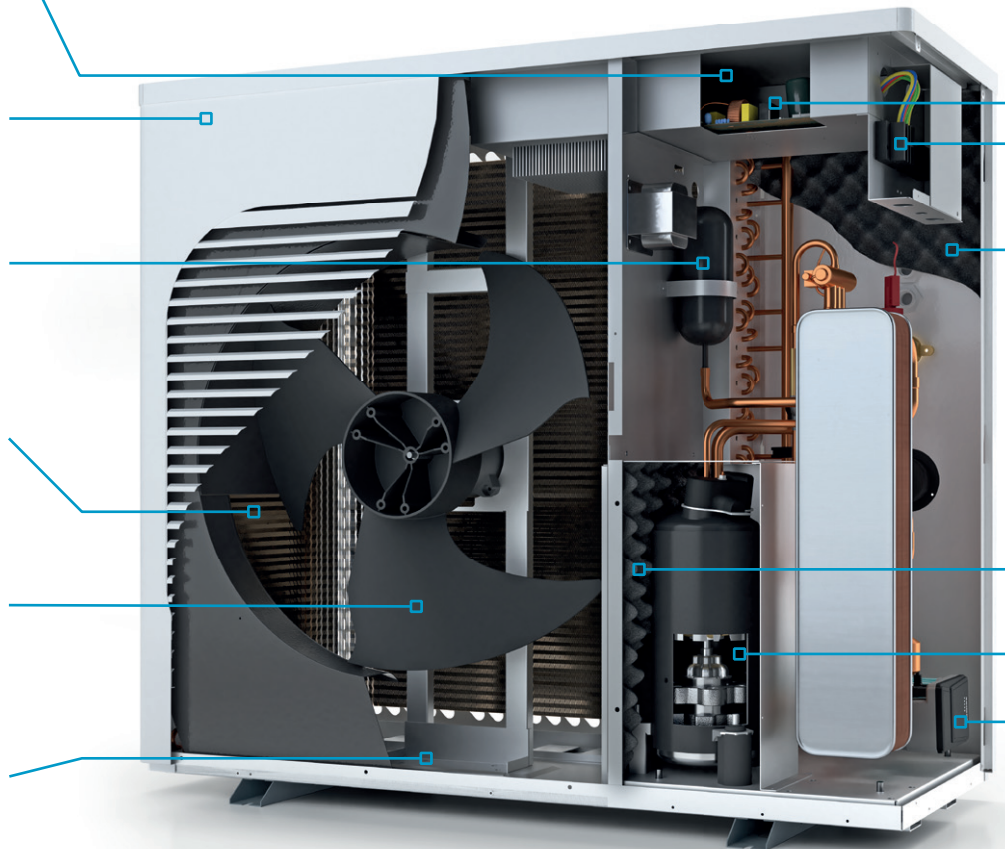
ELEGANT AND EXCLUSIVE DESIGN
slim construction

ENVIRONMENTAL FRIENDLY REFRIGERANT
R290 with a GWP of 3

LARGELY DIMENSIONED AIR HEAT EXCHANGER

OPTIMIZED AIR FLOW
noise minimization through
smart fan and conduct design

ICE-FREE DEFROST
because of a thermal
component



AFFORDABLE & ECO-FRIENDLY

Using ambient air as the primary heat source is a sustainable solution that is both cost-effective and climate-friendly.



EXCEPTIONALLY QUIET IN OPERATION

The use of high-quality soundproofing materials and advanced sound absorption techniques effectively minimize noise and vibration.



CLIMATE-FRIENDLY REFRIGERANT R290

The refrigerant R290 is an environmentally friendly and future-oriented solution with outstanding performance value also at higher temperature.

OUTDOOR TEMPERATURE REGULATED
HEATING CIRCUIT CONTROL
for optimal room climate

COMBINABLE WITH BUFFER
AND DHW TANK
for heating and cooling

SPECIAL SOUNDPROOF COTTON
stronger sound absorption, insulation, and
reduction than standard material

DOUBLE-SOUNDPROOFED
COMPRESSOR
extremely silent during operation

MODULATION AND
POWER ADJUSTMENT
for higher efficiency and a longer lifetime

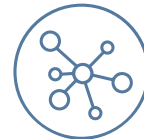
HIGH-EFFICIENCY PUMP INCLUDED
speed-regulated with energy flow measurement



HEATING / COOLING / DHW



FREE APP WITH FULL
CONTROL FROM EVERYWHERE



SMART PV/GRID READY



HIGH EFFICIENT
PERFORMANCE

The heat pump offers flexibility in output control, allowing adjustments through modulation and cascading. It can attain high flow temperatures of up to 70 °C.



SUPPORT & SERVICE
WORLDWIDE

Our worldwide partner network guarantees reliable heat: Our customer service is experienced, efficient and always quickly on site.

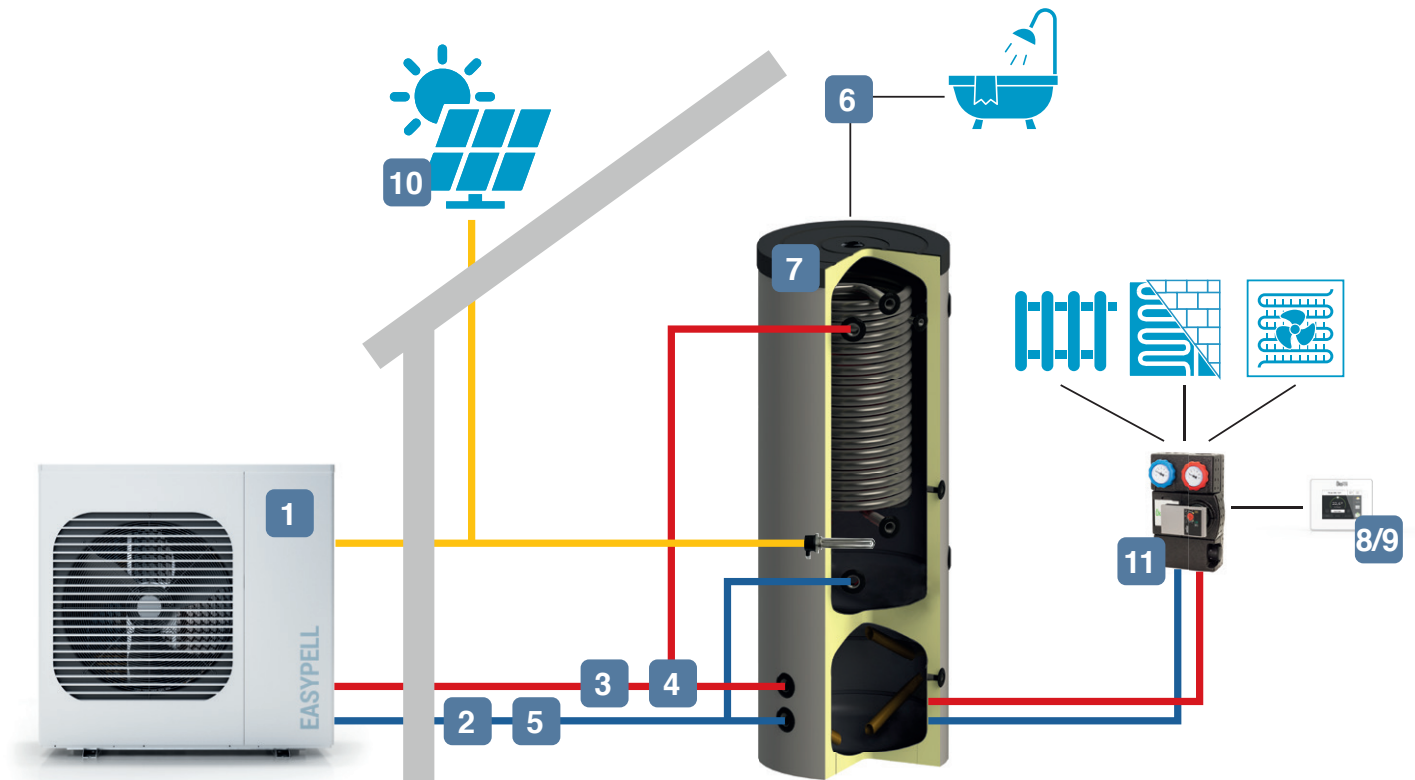


LONG WARRANTY
PERIOD

Quality and durability are core values of our products. That's also what our 3-year overall and 5 year compressor guarantee stands for.



HYDRAULICS IN PRACTICE



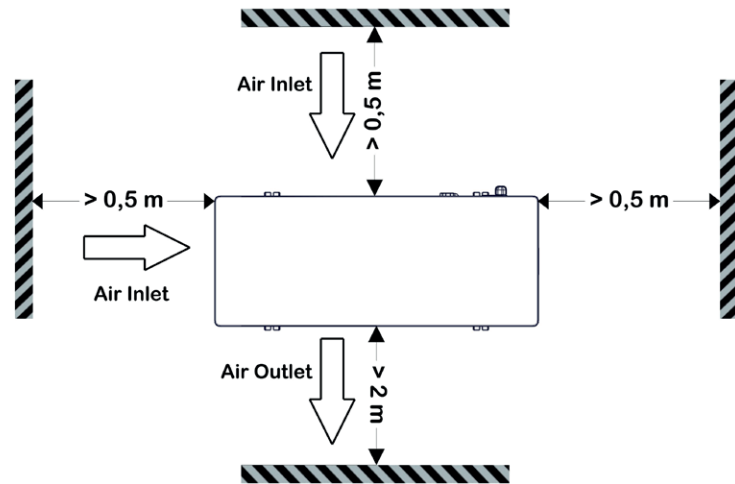
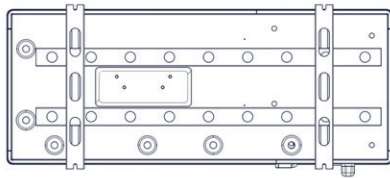
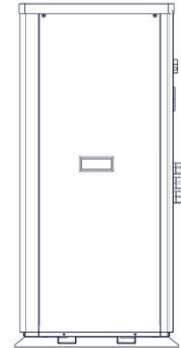
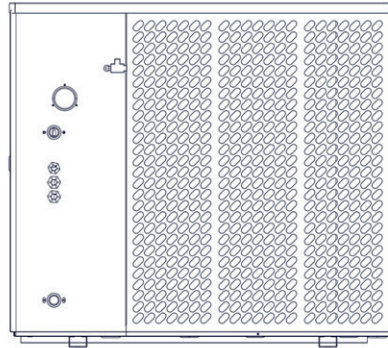
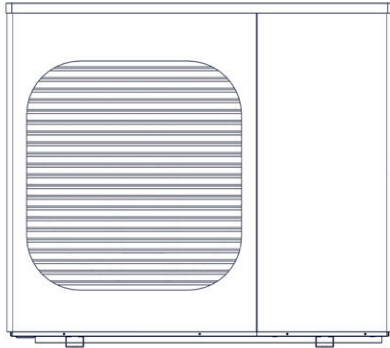
- 1 Easypell Heat pump
- 2 Expansion vessel 25-150 l
- 3 Safety unit
- 4 Three-way valve
- 5 Magnetic separator
- 6 Fresh water safety mixing valve
- 7 Buffer or combined tank
- 8 Heatcontroller & Touch-display
- 9 Room thermostat
- 10 Inverter and photovoltaic system
- 11 Pump group for direct, fixed temperature or mixer circuits, with PWM signal input (with 2 or 3 way distributor, if required).

ONLINE FUNCTION

With the smart and flexible online control, the energy management gives you full flexibility: Adjust the settings at any time via the controller or via the app and control your heating from anywhere. No matter where, you always have access to current and historical consumption data.



HYDRAULICS IN PRACTICE



Product name		EASYPPELL 06	EASYPPELL 09	EASYPPELL 12	EASYPPELL 12T	EASYPPELL 15T
Product model		EPA06	EPA09	EPA12	EPA12T	EPA17T
Heating rated power	kW A7 / W35	3,3-8,3	4,5-11,4	5,9-14,8		8,8-22,0
	kW A-2 / W35	3,0-7,3	3,7-9,3	4,9-12,0		7,3-17,9
	kW A-7 / W35	2,7-6,4	3,4-8,2	4,5-10,6		6,7-15,8
	kW A7 / W55	3,7-7,4	5,2-10,2	6,6-13,2		8,1-20,4
	kW A-2 / W55	2,8-6,7	3,5-8,6	4,5-11,2		6,8-16,6
	kW A-7 / W55	2,5-5,9	3,1-7,6	4,1-9,8		6,2-14,6
COP Range	A7 / W35	4,2-5,3				
COP Range	A7 / W55	3,1-3,8				
COP mixed (EN14.011-2)	W35 / W55	5,1 / 3,2	4,9 / 3,2	5,0 / 3,0		4,6 / 3,2
SCOP middle climate (EN14.825)	W35 / W55	4,7 / 3,5	4,5 / 3,5	4,6 / 3,4		4,7 / 3,6
Cooling rated power	kW A35 / W18	2,6-6,1	3,6-8,6	4,7-11,3		6,8-16,1
EER	A35 / W18	3,2-3,6				
ErP Level	35°C / 55°C	A+++ / A++				
ηs heating	35°C / 55°C	183 / 136	181 / 137	183 / 132		185 / 139
Refrigerant		R290				
Power supply		230V/1Ph/50Hz			380V/3Ph/50Hz	
Electrical input power	kW	0,76-2,72	0,83-3,51	1,01-4,51		1,51-6,76
Diameter of pipe / Connector	mm / inch	DN25 / F1"				
Max pump water head	m	9				
Water flow	m³/h	1,4	2,0	2,6		3,8
Sound pressure at 3m (A7/W35)	dB(A)	34	33	35	34	35
Sound power level (A7/W35)	dB(A)	58	57	60	59	60
Net Weight	kg	108	120	138		170
Net Dimension (L/W/H)	mm	1085x460x825	1085x460x965	1085x480x1065		1085x480x1378
Flow pipe height	mm		601	909		
Return pipe height	mm		131	103		
Operating ambient temp.range	°C	-25 to 43				
DHW temperature	°C	20 to 65				
Heating temperature	°C	20 to 70				
Cooling temperature	°C	7 to 35				



Eco Engineering 2050 GmbH
Gewerbepark 1
A-4133 Niederkappel, AT
+43 7286 7450 800
office@easypell.com
www.easypell.com



EASYPELL 